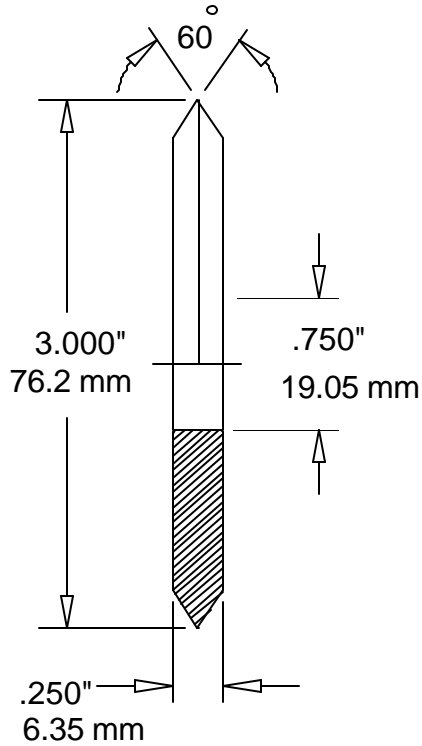


Product Information 14926

sharp=30255



**ASHTON
SANDEN
RDP-MARATHON**

Part Number	Cuts /inch	Teeth /wheel
14926-0	0	0
14926-2	2	19
14926-3	3	28
14926-4	4	38
14926-5	5	47
14926-6	6	57
14926-7	7	66
14926-8	8	75
14926-10	10	94
14926-12	12	113
14926-16	16	151

meaden mini perfs

14926-3010	30	284
14926-4510	45	424
14926-5010	50	470
14926-6610	66	622
14926-7210	72	678
14926-3030	30	284
14926-4530	45	424
14926-5030	50	470
14926-6630	66	622
14926-7230	72	678

No charges for marking
 Other ties available at no charge up to .060" wide
 Any combination of cuts and ties available on request.

