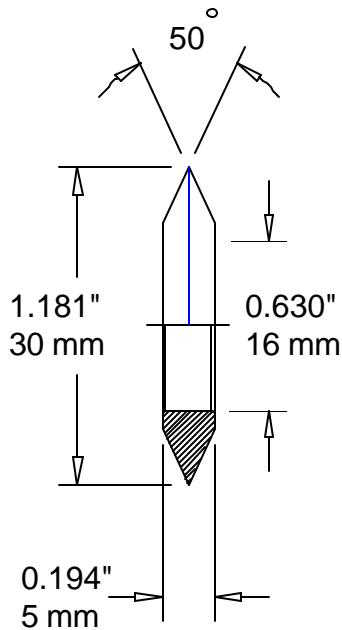


Product Information 19927



Part Number	Cuts / inch	Teeth / wheel
19927-0	0	0
19927-2	2	7
19927-3	3	11
19927-4	4	15
19927-5	5	19
19927-6	6	22
19927-7	7	26
19927-8	8	30
19927-10	10	37
19927-12	12	45
19927-16	16	59

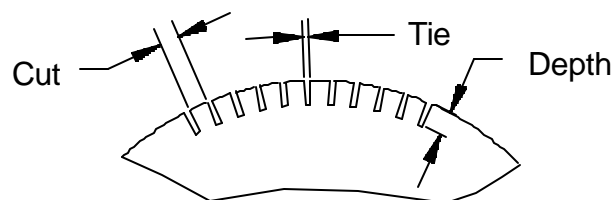
meaden mini perfs

19927-3010	30	110
19927-4510	45	166
19927-5010	50	184
19927-6610	66	244
19927-7210	72	266
19927-3030	30	110
19927-4530	45	166
19927-5030	50	184
19927-6630	66	244
19927-7230	72	266

**DOVERSTAR
KO PACK
HEIDELBERG**

**bearing 634-Z
\$8.00 each**

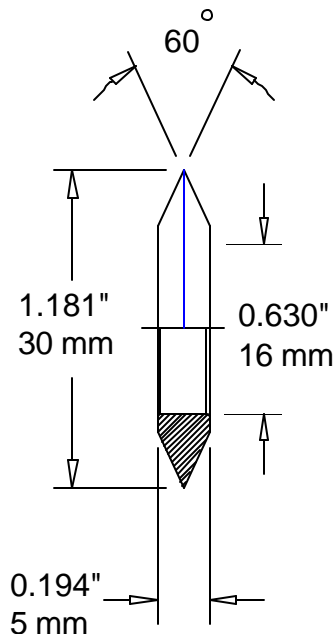
No charges for marking
Other ties available at no charge up to .060" wide
Any combination of cuts and ties available on request.



meaden

Product Information 32069

**Cutting Edge
has tip radius
of .002"**



COUNT

Part Number	Cuts / inch	Teeth / wheel
32069-0	0	0
32069-2	2	7
32069-3	3	11
32069-4	4	15
32069-5	5	19
32069-6	6	22
32069-7	7	26
32069-8	8	30
32069-10	10	37
32069-12	12	45
32069-16	16	59

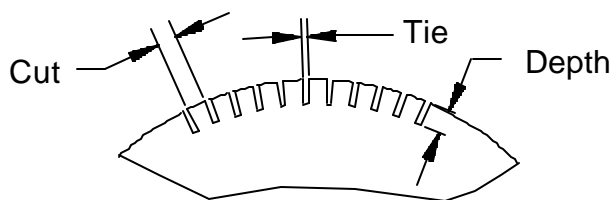
meaden mini perfs

32069-3010	30	110
32069-4510	45	166
32069-5010	50	184
32069-6610	66	244
32069-7210	72	266
32069-3030	30	110
32069-4530	45	166
32069-5030	50	184
32069-6630	66	244
32069-7230	72	266

No charges for marking

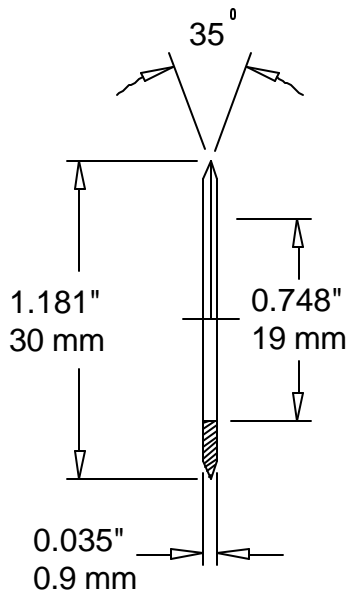
Other ties available at no charge up to .060" wide
Any combination of cuts and ties available on request.

**bearing 634-Z
\$8.00 each**



meaden

Product Information 18494



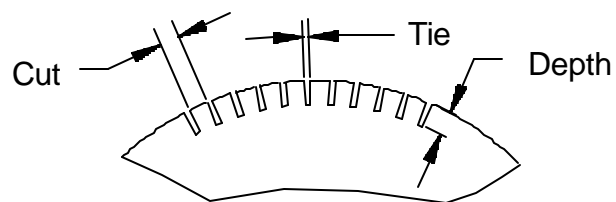
Part Number	Cuts / inch	Teeth / wheel
18494-0	0	0
18494-2	2	7
18494-3	3	11
18494-4	4	15
18494-5	5	19
18494-6	6	22
18494-7	7	26
18494-8	8	30
18494-10	10	37
18494-12	12	45
18494-16	16	59

meaden mini perfs

18494-3010	30	110
18494-4510	45	166
18494-5010	50	184
18494-6610	66	244
18494-7210	72	266
18494-3030	30	110
18494-4530	45	166
18494-5030	50	184
18494-6630	66	244
18494-7230	72	266

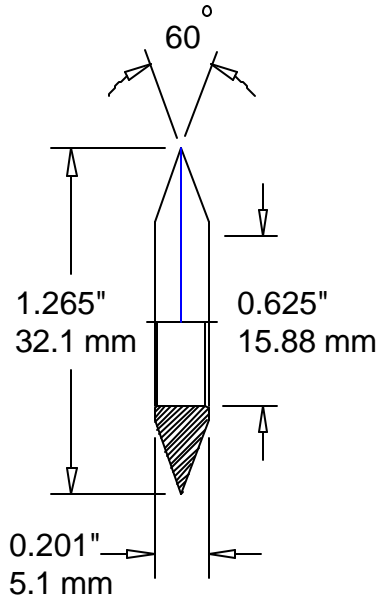
HEIDELBERG GRAPHIC WHIZARD

No charges for marking
Other ties available at no charge up to .060" wide
Any combination of cuts and ties available on request.



Product Information 30275

This blade has a radiused tip for crush slitting.



Use number 31746 for face or liner slitting.

ROTO-METRICS
RD SCORER

bearing 30987

Part Number	Cuts / inch	Teeth / wheel
30275-0	0	0
30275-2	2	8
30275-3	3	12
30275-4	4	16
30275-5	5	20
30275-6	6	24
30275-7	7	28
30275-8	8	32
30275-10	10	40
30275-12	12	48
30275-16	16	64

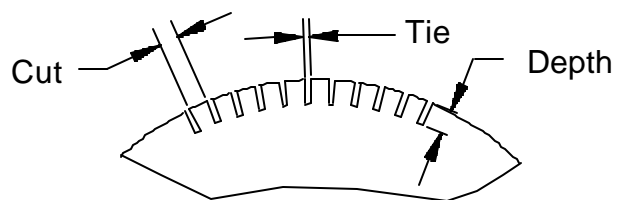
meaden mini perfs

30275-3010	30	118
30275-4510	45	182
30275-5010	50	199
30275-6610	66	266
30275-7210	72	286
30275-3030	30	118
30275-4530	45	182
30275-5030	50	199
30275-6630	66	266
30275-7230	72	286

No charges for marking

Other ties available at no charge up to .060" wide

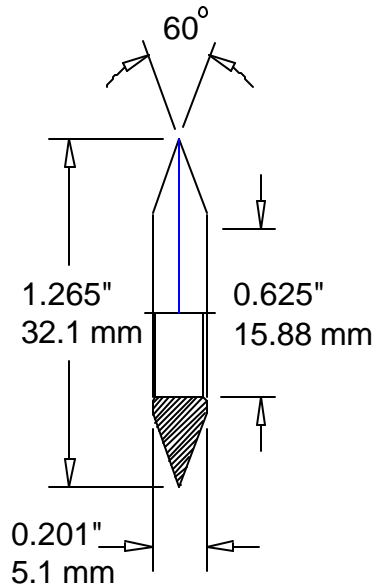
Any combination of cuts and ties available on request.



meaden

Product Information 31746

This blade has a true-sharp tip for face or liner slitting.



Use number 30275 for crush slitting.

ROTO-METRICS
RD SCORER

bearing 30987

Part Number	Cuts / inch	Teeth / wheel
31746-0	0	0
31746-2	2	8
31746-3	3	12
31746-4	4	16
31746-5	5	20
31746-6	6	24
31746-7	7	28
31746-8	8	32
31746-10	10	40
31746-12	12	48
31746-16	16	64

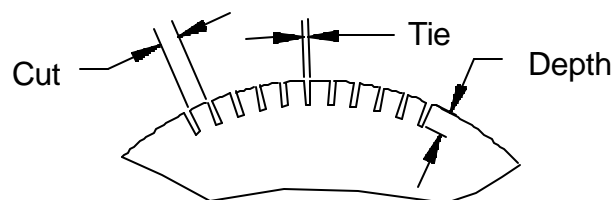
meaden mini perfs

31746-3010	30	118
31746-4510	45	182
31746-5010	50	199
31746-6610	66	266
31746-7210	72	286
31746-3030	30	118
31746-4530	45	182
31746-5030	50	199
31746-6630	66	266
31746-7230	72	286

No charges for marking

Other ties available at no charge up to .060" wide

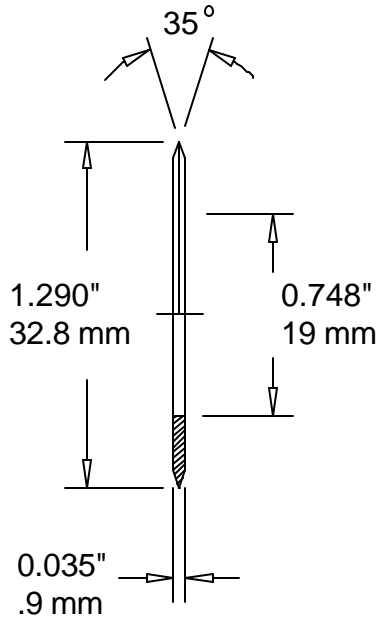
Any combination of cuts and ties available on request.



meaden

Product Information 19776

This blade has a true-sharp tip



Part Number	Cuts / inch	Teeth / wheel
19776-0	0	0
19776-2	2	8
19776-3	3	12
19776-4	4	16
19776-5	5	20
19776-6	6	24
19776-7	7	28
19776-8	8	32
19776-10	10	40
19776-12	12	48
19776-16	16	63

meaden mini perfs

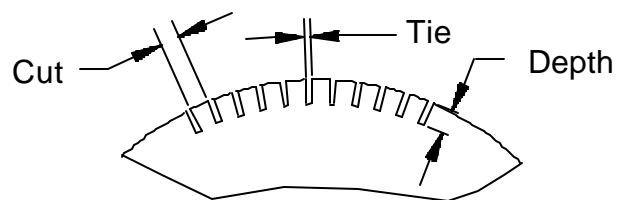
19776-3010	30	120
19776-4510	45	182
19776-5010	50	202
19776-6610	66	266
19776-7210	72	290
19776-3030	30	120
19776-4530	45	182
19776-5030	50	202
19776-6630	66	266
19776-7230	72	290

UKITA

No charges for marking

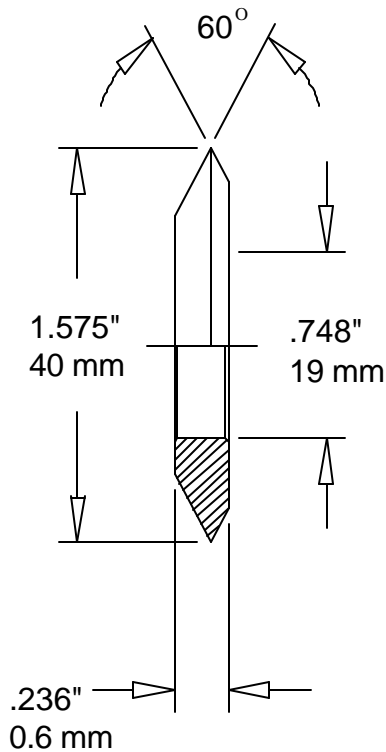
Other ties available at no charge up to .060" wide

Any combination of cuts and ties available on request.



meaden

Product Information 19746



**AKIRA
RYHOBI**

bearing C-96-PP

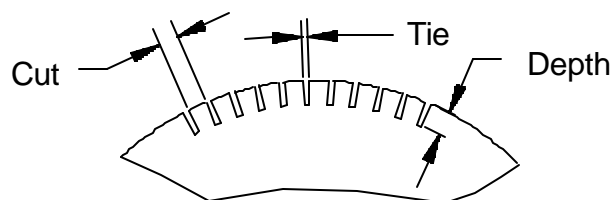
Part Number	Cuts / inch	Teeth / wheel
19746-0	0	0
19746-2	2	10
19746-3	3	15
19746-4	4	20
19746-5	5	25
19746-6	6	30
19746-7	7	35
19746-8	8	40
19746-10	10	50
19746-12	12	59
19746-16	16	79

19746-3010	30	148
19746-4510	45	222
19746-5010	50	246
19746-6610	66	326
19746-7210	72	356
19746-3030	30	148
19746-4530	45	222
19746-5030	50	246
19746-6630	66	326
19746-7230	72	356

No charges for marking

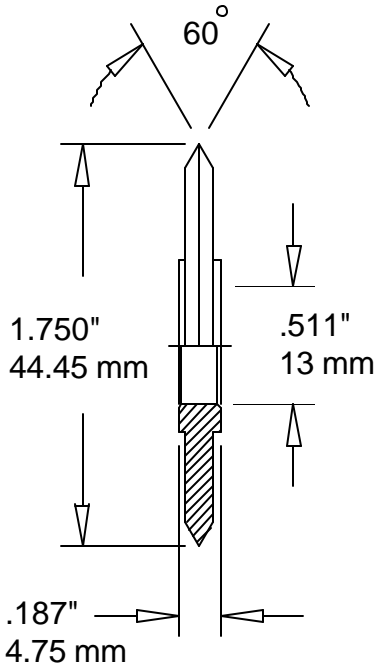
Other ties available at no charge up to .060" wide

Any combination of cuts and ties available on request.



meaden

Product Information 17148



Part Number	Cuts / inch	Teeth / wheel
17148-0	0	0
17148-2	2	11
17148-3	3	17
17148-4	4	22
17148-5	5	28
17148-6	6	33
17148-7	7	39
17148-8	8	44
17148-10	10	55
17148-12	12	66
17148-16	16	88

meaden mini perfs

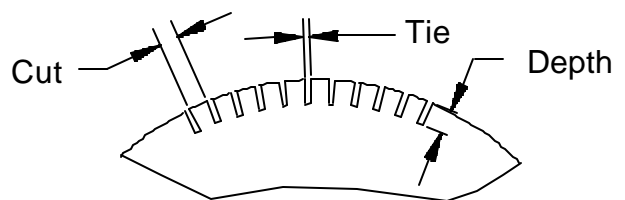
17148-3010	30	164
17148-4510	45	246
17148-5010	50	274
17148-6610	66	362
17148-7210	72	394
17148-3030	30	164
17148-4530	45	246
17148-5030	50	274
17148-6630	66	362
17148-7230	72	394

TIMSONS

No charges for marking

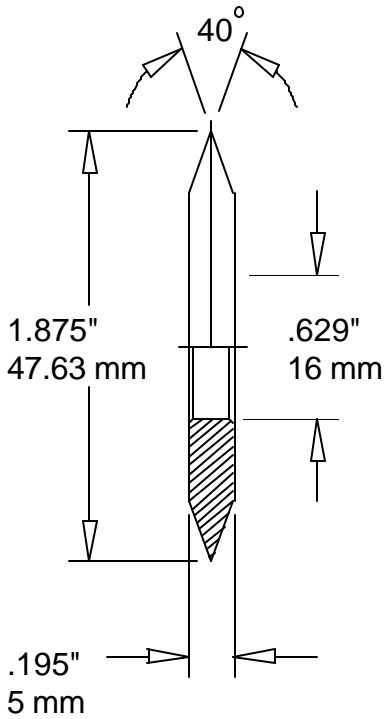
Other ties available at no charge up to .060" wide

Any combination of cuts and ties available on request.



meaden

Product Information 17997



P C M

Part Number	Cuts / inch	Teeth / wheel
17997-0	0	0
17997-2	2	12
17997-3	3	18
17997-4	4	24
17997-5	5	29
17997-6	6	35
17997-7	7	41
17997-8	8	47
17997-10	10	59
17997-12	12	71
17997-16	16	94

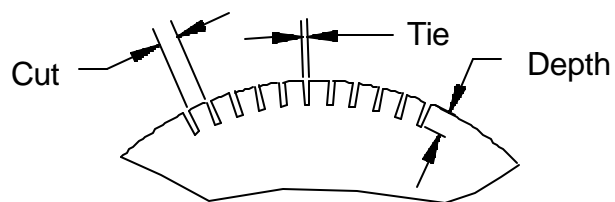
meaden mini perfs

17997-3010	30	176
17997-4510	45	264
17997-5010	50	294
17997-6610	66	388
17997-7210	72	424
17997-3030	30	176
17997-4530	45	264
17997-5030	50	294
17997-6630	66	388
17997-7230	72	424

No charges for marking

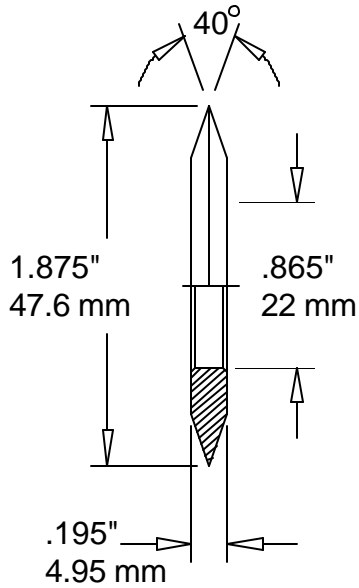
Other ties available at no charge up to .060" wide

Any combination of cuts and ties available on request.



meaden

Product Information 31302



UARCO

Part Number	Cuts / inch	Teeth / wheel
31302-0	0	0
31302-2	2	12
31302-3	3	18
31302-4	4	24
31302-5	5	29
31302-6	6	35
31302-7	7	41
31302-8	8	47
31302-10	10	59
31302-12	12	71
31302-16	16	94

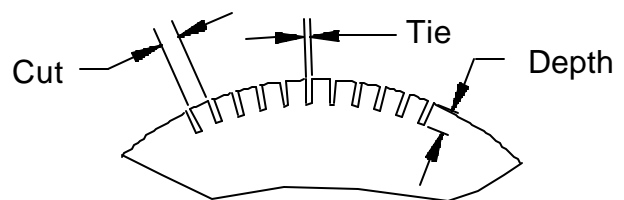
meaden mini perfs

31302-3010	30	176
31302-4510	45	264
31302-5010	50	294
31302-6610	66	388
31302-7210	72	424
31302-3030	30	176
31302-4530	45	264
31302-5030	50	294
31302-6630	66	388
31302-7230	72	424

No charges for marking

Other ties available at no charge up to .060" wide

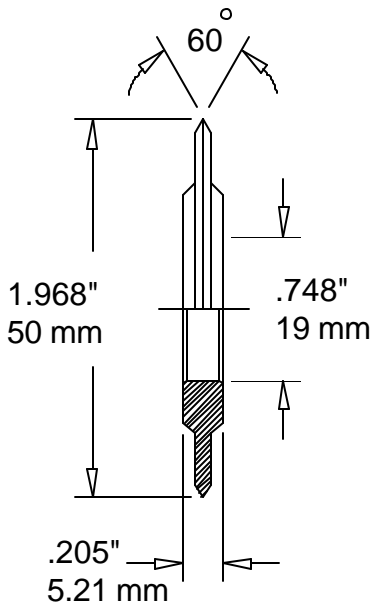
Any combination of cuts and ties available on request.



meaden

Product Information 15706

sharp=21160



**DRENT
GIEBELER
GRAPHA
ROTATEK**

Part Number	Cuts / inch	Teeth / wheel
15706-0	0	0
15706-2	2	12
15706-3	3	19
15706-4	4	25
15706-5	5	31
15706-6	6	37
15706-7	7	43
15706-8	8	50
15706-10	10	62
15706-12	12	74
15706-16	16	99

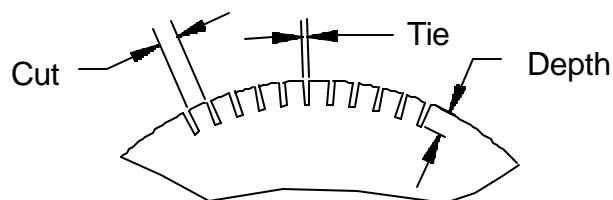
meaden mini perfs

15706-3010	30	186
15706-4510	45	278
15706-5010	50	309
15706-6610	66	408
15706-7210	72	445
15706-3030	30	186
15706-4530	45	278
15706-5030	50	306
15706-6630	66	408
15706-7230	72	445

No charges for marking

Other ties available at no charge up to .060" wide

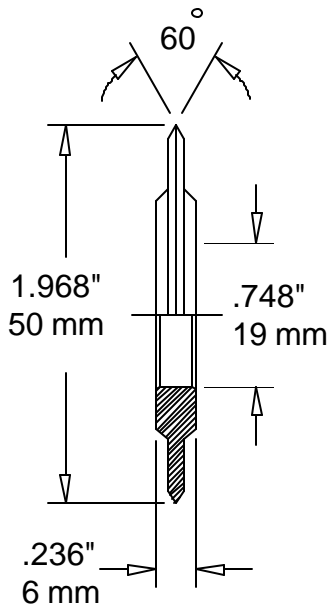
Any combination of cuts and ties available on request.



meaden

Product Information 17767

sharp=21158



Part Number	Cuts / inch	Teeth / wheel
17767-0	0	0
17767-2	2	12
17767-3	3	19
17767-4	4	25
17767-5	5	31
17767-6	6	37
17767-7	7	43
17767-8	8	50
17767-10	10	62
17767-12	12	74
17767-16	16	99

meaden mini perfs

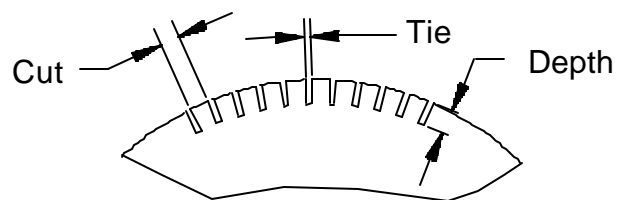
17767-3010	30	186
17767-4510	45	278
17767-5010	50	309
17767-6610	66	408
17767-7210	72	445
17767-3030	30	186
17767-4530	45	278
17767-5030	50	309
17767-6630	66	408
17767-7230	72	445

MORGAN

No charges for marking

Other ties available at no charge up to .060" wide

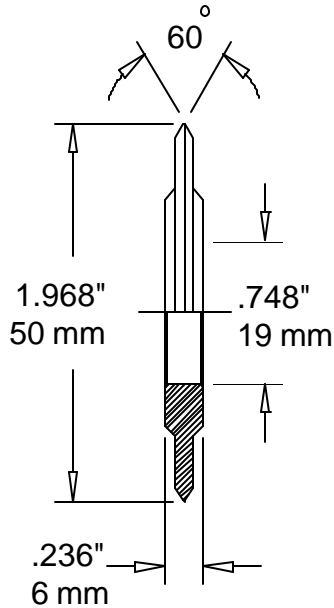
Any combination of cuts and ties available on request.



meaden

Product Information 32011

This blade has a true-sharp tip for face or liner slitting.



Part Number	Cuts / inch	Teeth / wheel
32011-0	0	0
32011-2	2	12
32011-3	3	19
32011-4	4	25
32011-5	5	31
32011-6	6	37
32011-7	7	43
32011-8	8	50
32011-10	10	62
32011-12	12	74
32011-16	16	99

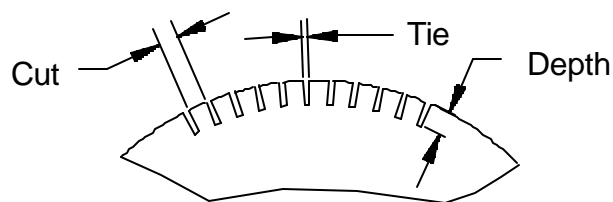
meaden mini perfs

32011-3010	30	186
32011-4510	45	278
32011-5010	50	309
32011-6610	66	408
32011-7210	72	445
32011-3030	30	186
32011-4530	45	278
32011-5030	50	309
32011-6630	66	408
32011-7230	72	445

**AMERICAN DIE
TECHNOLOGY
ADVANCED
MULTI-SCORER**

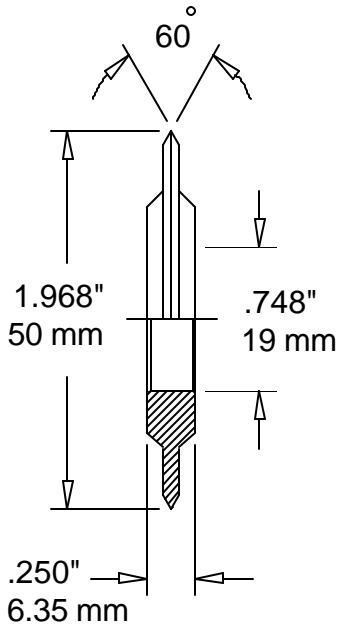
No charges for marking

Other ties available at no charge up to .060" wide
Any combination of cuts and ties available on request.



meaden

Product Information 15425



Part Number	Cuts / inch	Teeth / wheel
15425-0	0	0
15425-2	2	12
15425-3	3	19
15425-4	4	25
15425-5	5	31
15425-6	6	37
15425-7	7	43
15425-8	8	50
15425-10	10	62
15425-12	12	74
15425-16	16	99

meaden mini perfs

15425-3010	30	186
15425-4510	45	278
15425-5010	50	309
15425-6610	66	408
15425-7210	72	445
15425-3030	30	186
15425-4530	45	278
15425-5030	50	309
15425-6630	66	408
15425-7230	72	445

**DRENT
CODIMAG
GIEBELER
ECH-WILL**
bearing C-96-PP

No charges for marking
Other ties available at no charge up to .060" wide
Any combination of cuts and ties available on request.

