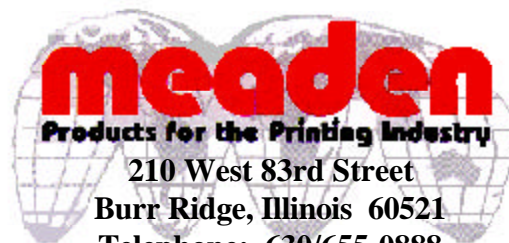
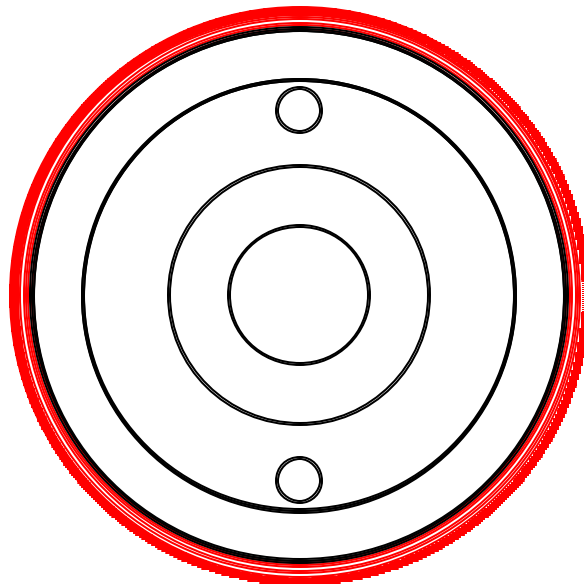
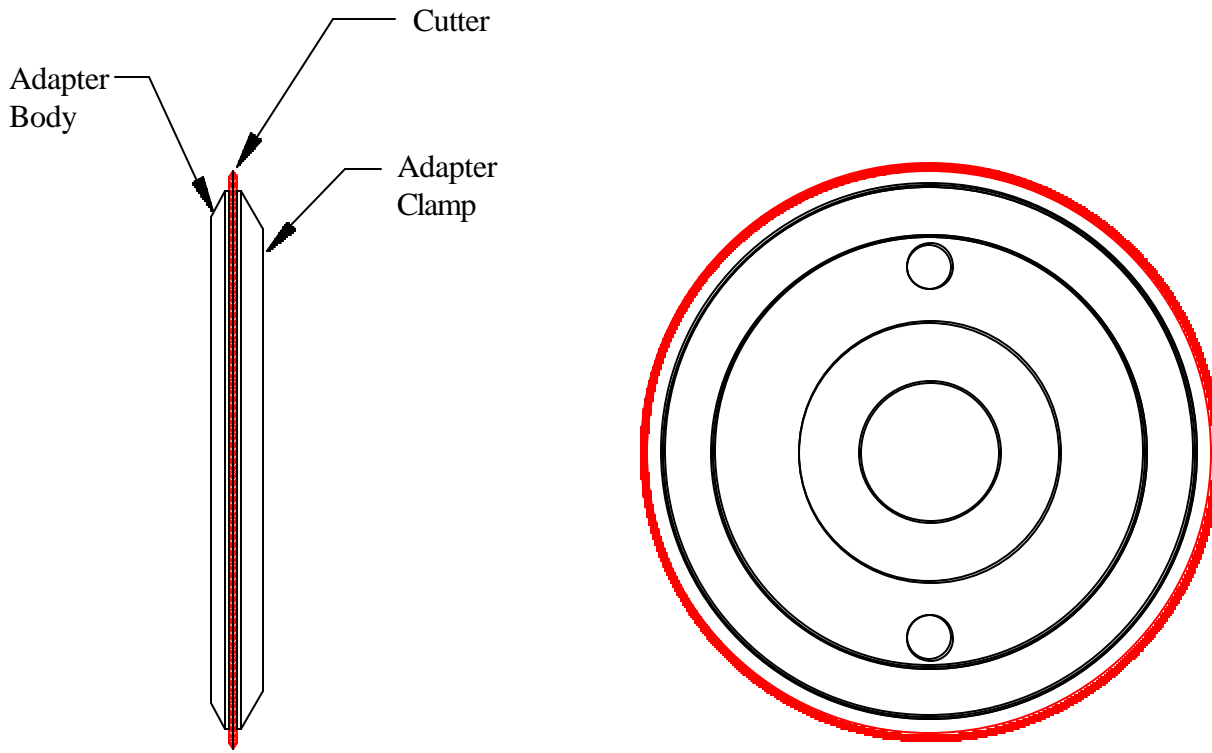


meaden

Low Cost Cutting System



210 West 83rd Street
Burr Ridge, Illinois 60521
Telephone: 630/655-0888
FAX: 630/655-3012
www.meadenprinting.com

Low Cost Cutting System**LCCS**

What is the Low Cost Cutting System (LCCS)?

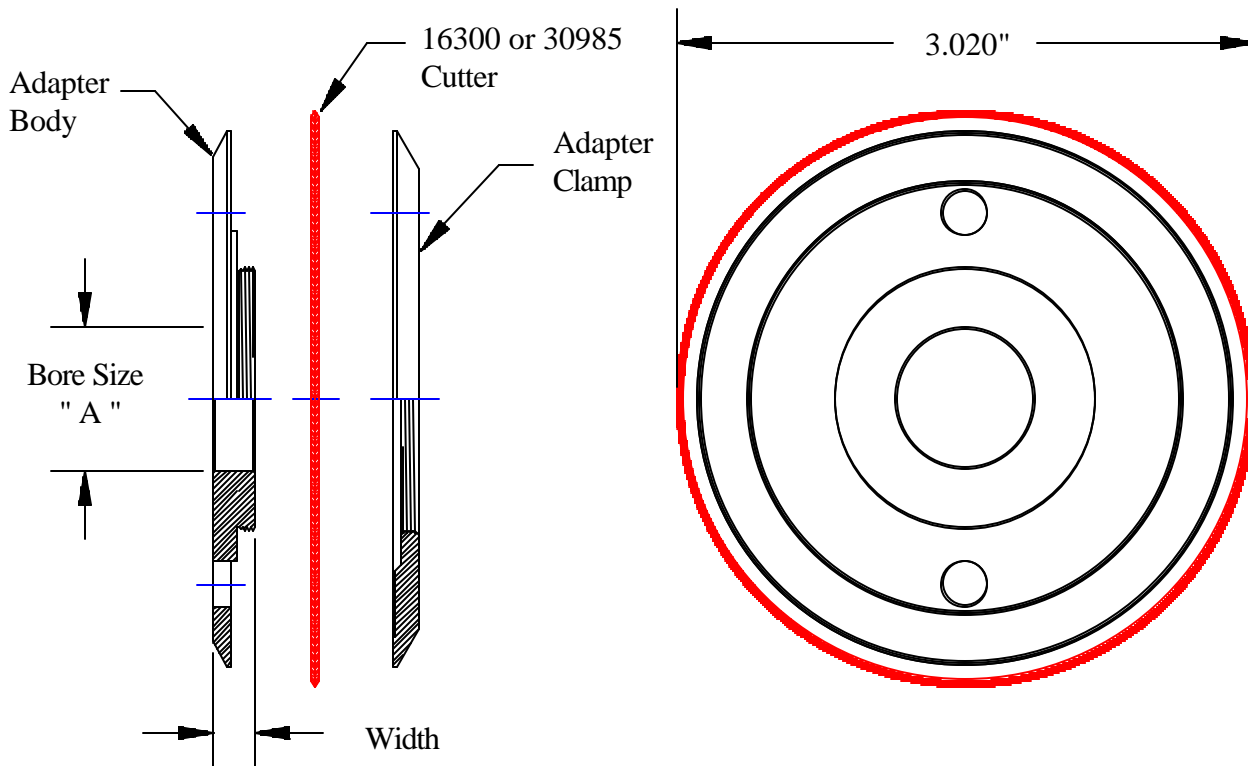
The Low Cost Cutting System is a replacement for standard slitter and perforator knives that can lower your costs in several ways. First, by purchasing different adapters the same knife can be used throughout the whole plant thus reducing inventory costs and increasing the availability of the right knife. Second, because only a small amount of material is needed to make the knife, the purchase price of the slitter or perforator is much lower than a comparable solid knife. Replacement blades are offered in both standard and long-life materials.

Available in sizes for most presses

meaden

Low Cost Cutting System

LCCS

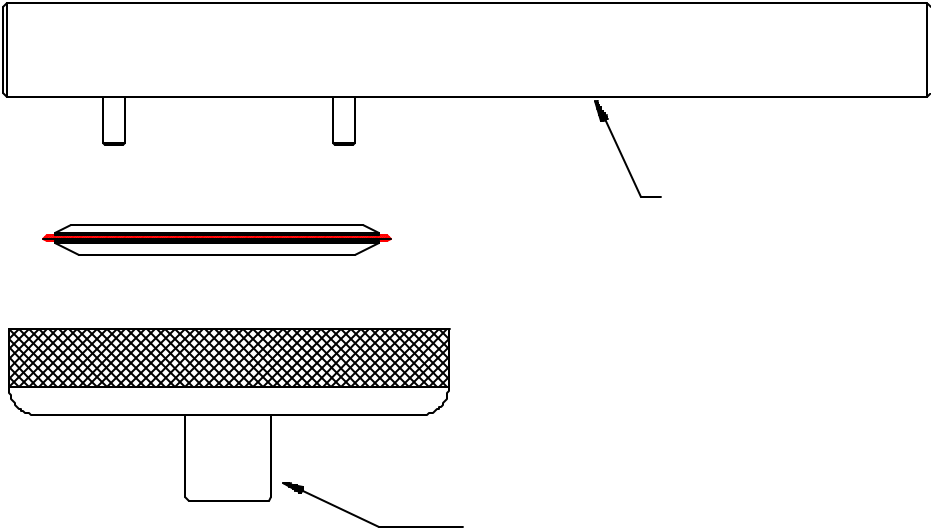


Only 31999 will fit in the thin pneumatic holders

LCCS Adapter Assemblies

Part Number	Assembly Width	Bore Size "A"
31415	.262"	.748"
31416	.262"	.750"
31417	.262"	.866"
31999	.243"	.866"

Low Cost Cutting System MOUNTING TOOL

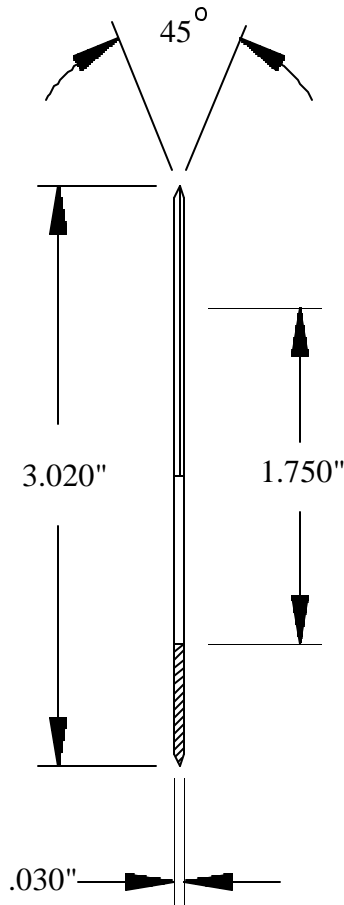


Mounting Tool #31561

Low Cost Cutting System

16300

sharp=21159

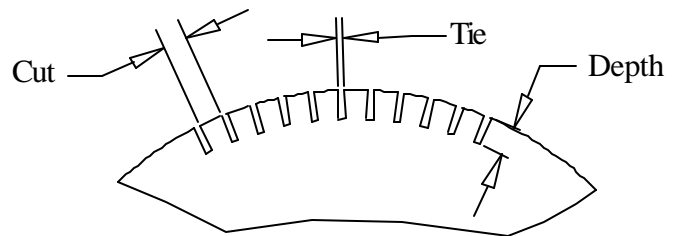


Standard Material

Part Number	Cuts / inch	Teeth / wheel
16300 -0	0	0
16300 -2	2	19
16300 -3	3	29
16300 -4	4	38
16300 -5	5	48
16300 -6	6	57
16300 -7	7	67
16300 -8	8	76
16300-10	10	95
16300-12	12	114
16300-16	16	152

meaden mini perfs

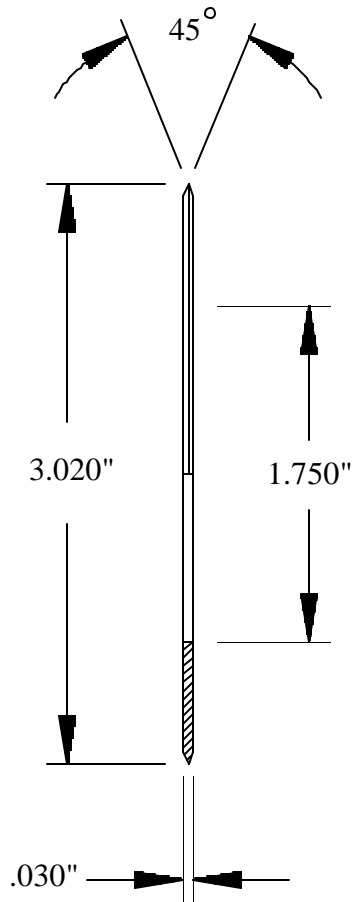
16300 -3010	30	284
16300 -4510	45	426
16300 -5010	50	474
16300 -6610	66	626
16300 -7210	72	684
16300 -3030	30	284
16300 -4530	45	426
16300 -5030	50	474
16300 -6630	66	626
16300 -7230	72	684



Low Cost Cutting System

30985

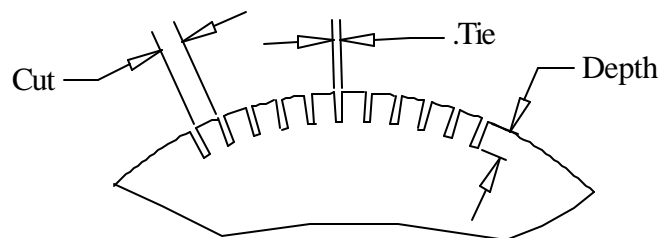
Long Life Material



Part Number	Cuts / inch	Teeth / wheel
30985-0	0	0
30985-2	2	19
30985-3	3	29
30985-4	4	38
30985-5	5	48
30985-6	6	57
30985-7	7	67
30985-8	8	76
30985-10	10	95
30985-12	12	114
30985-16	16	152

meaden mini perfs

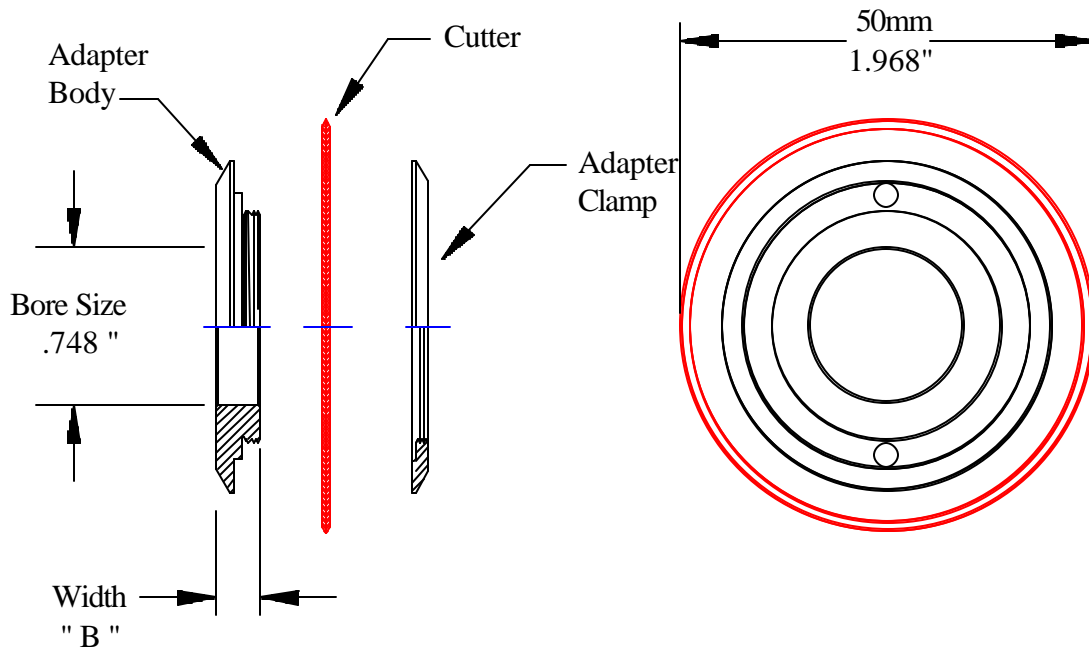
30985-3010	30	284
30985-4510	45	426
30985-5010	50	474
30985-6610	66	626
30985-7210	72	684
30985-3030	30	284
30985-4530	45	426
30985-5030	50	474
30985-6630	66	626
30985-7230	72	684



Low Cost Cutting System

50 mm

LCCS



50 mm LCCS Adapter Assemblies

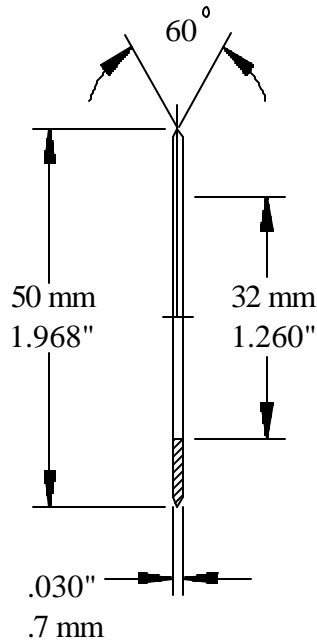
Part Number	Width "B"
31818	.250"
31819	.236"
31820	.204"

Requires Mounting Tool #31848

Low Cost Cutting System

50mm LCCS

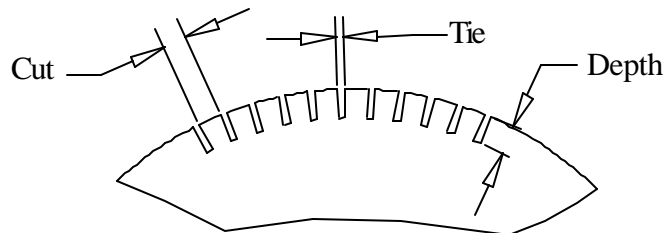
Long Life Material



Part Number	Cuts / inch	Teeth / wheel
31822 -0	0	0
31822 -2	2	12
31822 -3	3	19
31822 -4	4	25
31822 -5	5	31
31822 -6	6	37
31822 -7	7	43
31822 -8	8	50
31822 -10	10	62
31822 -12	12	74
31822 -16	16	99

meaden mini perfs

31822 -3010	30	186
31822 -4510	45	278
31822 -5010	50	308
31822 -6610	66	408
31822 -7210	72	444
31822 -3030	30	186
31822 -4530	45	278
31822 -5030	50	308
31822 -6630	66	408
31822 -7230	72	444

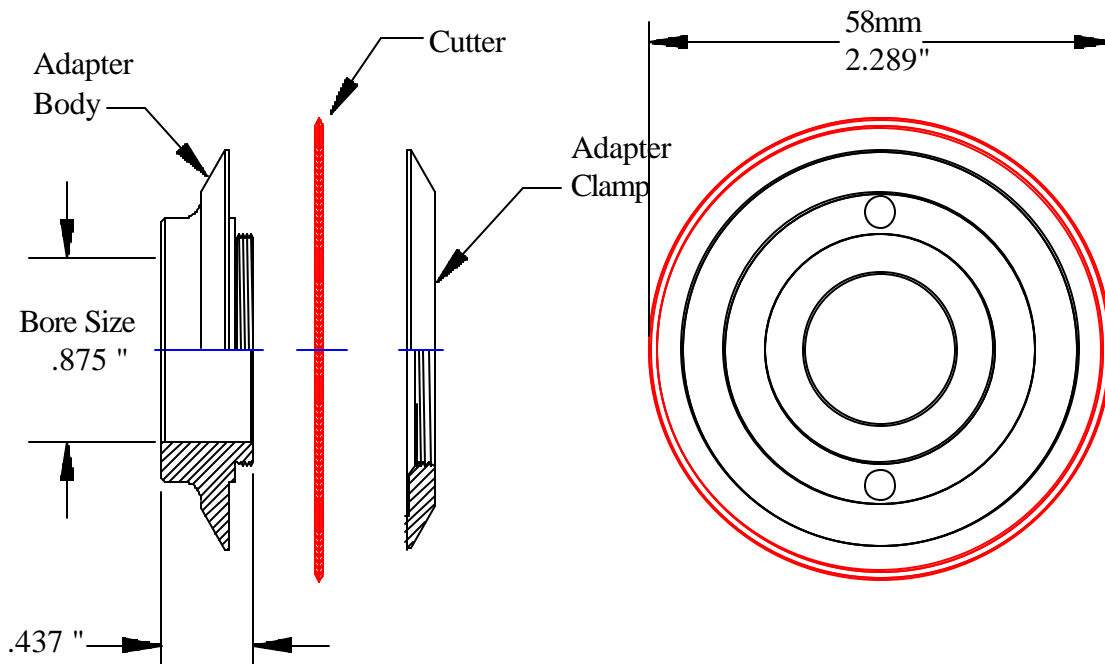


Low Cost Cutting System

58mm

LCCS

Didde Replacement Wheel



LCCS Adapter Assemblies

Part Number	Bore Size "A"
31821	.875"

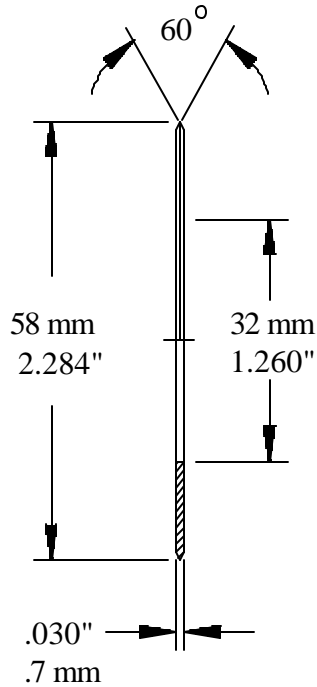
Requires Mounting Tool #31848

Low Cost Cutting System

58mm

LCCS

Long Life Material



Part Number	Cuts / inch	Teeth / wheel
31823 -0	0	0
31823 -2	2	14
31823 -3	3	21
31823 -4	4	28
31823 -5	5	35
31823 -6	6	42
31823 -7	7	50
31823 -8	8	57
31823-10	10	71
31823-12	12	85
31823-16	16	113

meaden mini perfs

31823 -3010	30	212
31823 -4510	45	319
31823 -5010	50	354
31823 -6610	66	467
31823 -7210	72	510
31823 -3030	30	212
31823 -4530	45	319
31823 -5030	50	354
31823 -6630	66	467
31823 -7230	72	510

