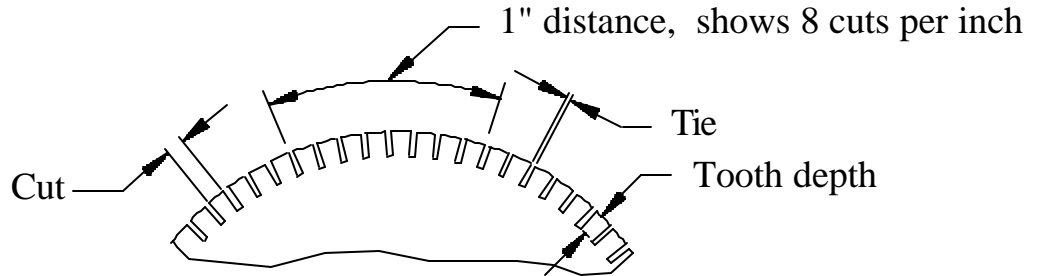


Standard tie width is .030"



### Hardness of standard wheels :

The normal hardness of **meaden** wheels varies between 59 and 61 Rc. One exception is part #14933 for use with softer anvils. All wheels are made from premium quality toolsteel.

### Other ties available :

We provide a number of different ties under .060" width at no extra charge . Over .060" wide tie width add 15 % to the cost of the wheel. Other ties available are:

.020", .023", .027", .032", .034", .036", .040", .045", .050", .054" and .060"

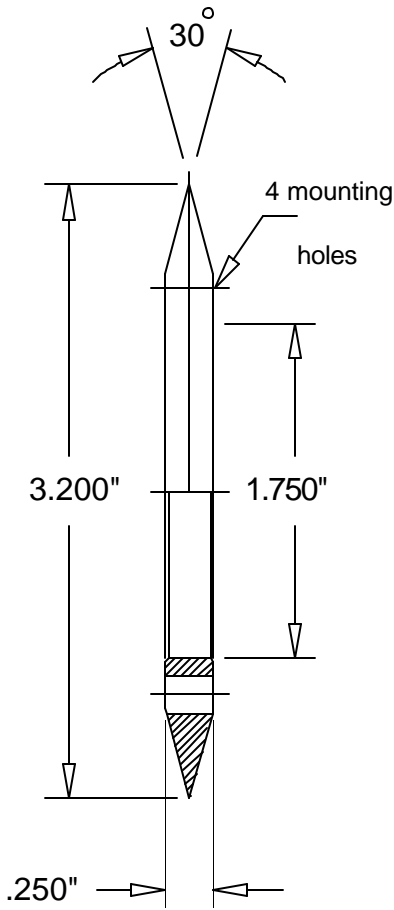
Note ! Different tie widths are not combinable for quantity pricing.

### GENERAL TOOTH DEPTHS

	TEETH PER WHEEL		DEPTH
2 .000 inch Wheels	1	- 55	5/32"
	56	- 66	1/8"
	67	- Over	1/16"
2.625" inch Wheels	1	- 70	5/32"
	71	- 90	1/8"
	90	- Over	1/16"
3 .000 inch Wheels	1	- 85	5/32"
	86	- 110	1/8"
	111	- Over	1/16"

Tooth depth is reduced as the number of teeth per wheel increases to prevent breaking the teeth on impact with the anvil.

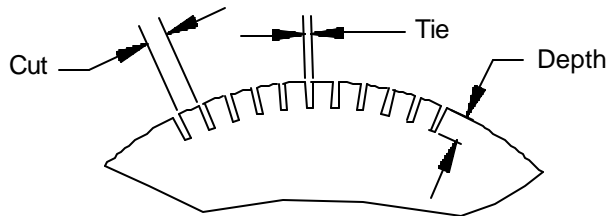
## Product Information 14932 HAMILTON COLLATOR



Part Number	Cuts / inch	Teeth / wheel	Cut Length	Standard Tie Width
14932-0	slitter wheel	0		
14932-2	2	20	.472"	.030"
14932-3	3	30	.305"	.030"
14932-4	4	40	.221"	.030"
14932-5	5	50	.171"	.030"
14932-6	6	60	.138"	.030"
14932-7	7	70	.114"	.030"
14932-8	8	80	.096"	.030"
14932-10	10	101	.070"	.030"
14932-12	12	121	.053"	.030"
14932-16	16	161	.032"	.030"

No charges for marking  
 Other ties available at no charge  
 Any combination of cuts and ties available on request.

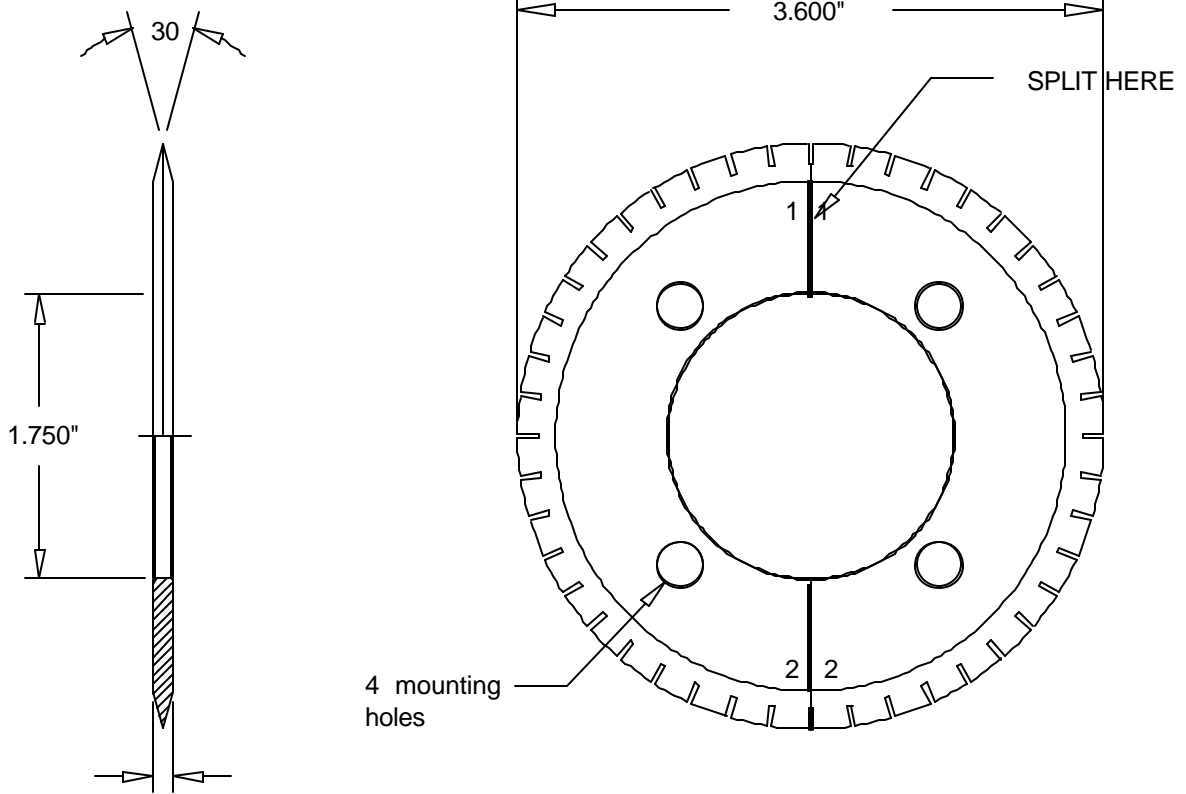
Note: Sold in matched halves



15199

## WESTERN GEAR COLLATOR

### Collator Perforator Wheel

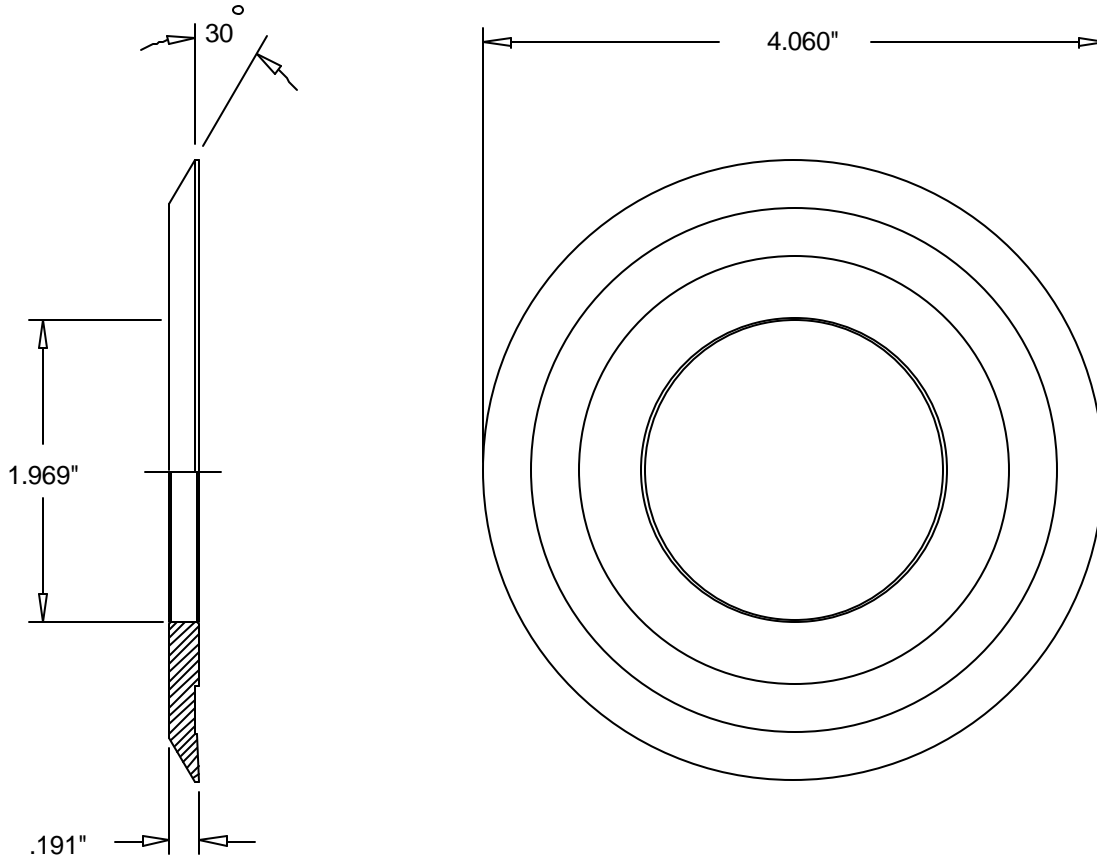


Note: Sold in matched halves

## Part #15199

15146

WESTERN GEAR COLLATOR

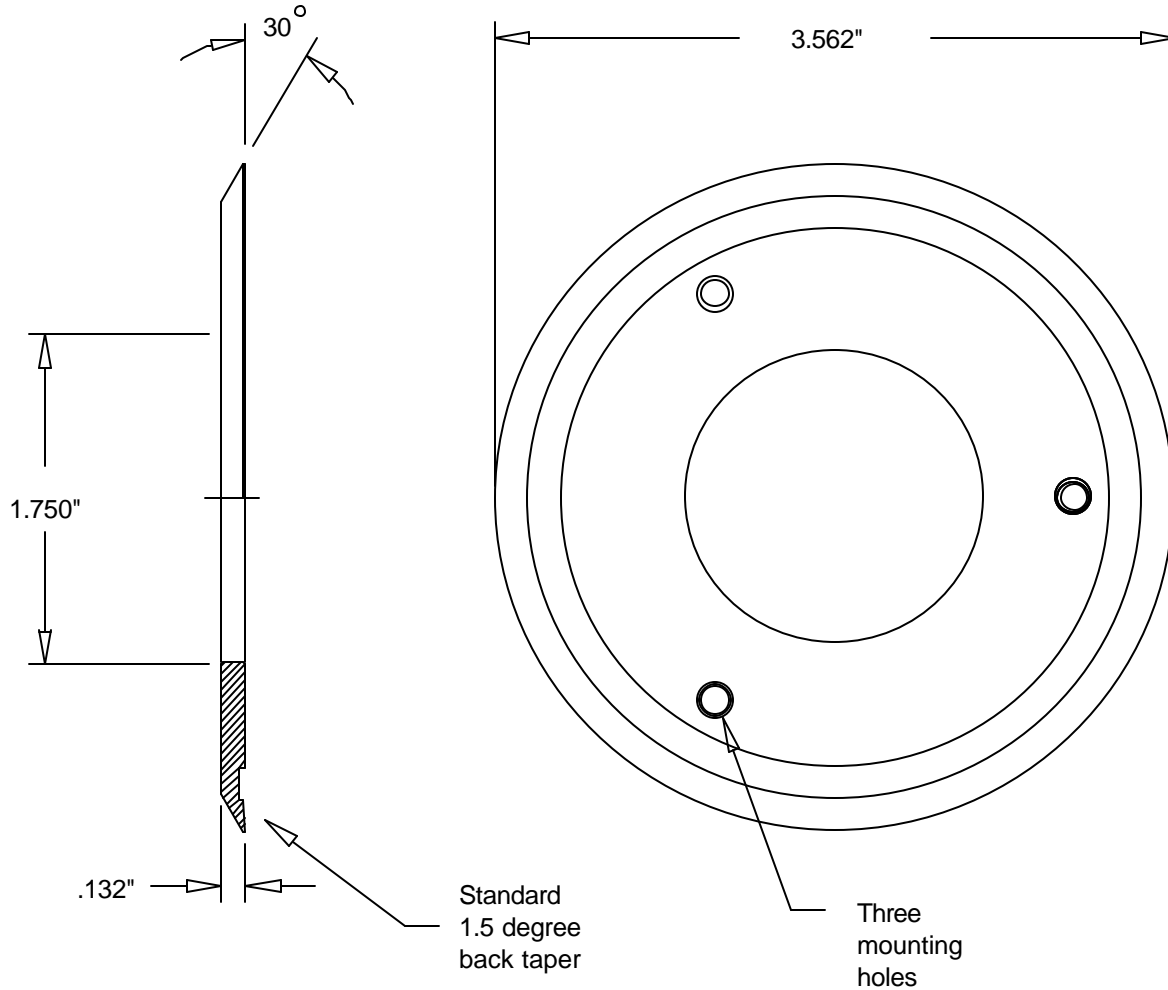


Top and bottom knives are the same

## Part #15146

15280

COLLATOR KNIFE



**PART #15280**

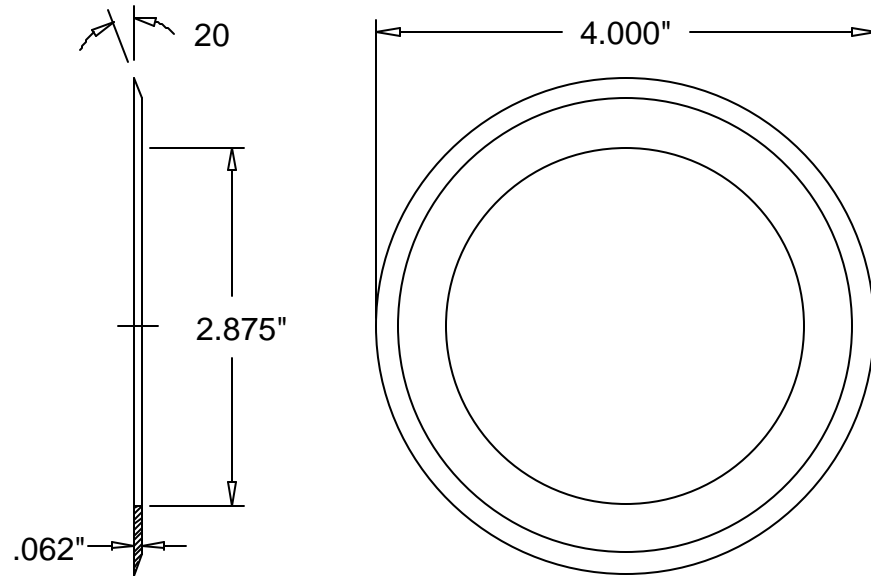
**PART #31737**

Special  
3 degree  
back taper

Refer to # 31737 for same knife  
with 3.0 degree back taper

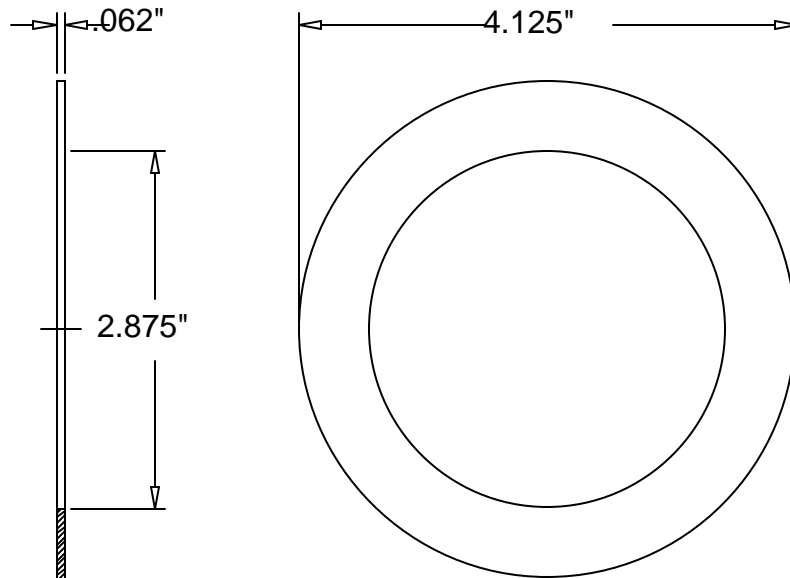
## HAMILTON UPPER COLLATOR TRIM KNIFE

### PART #15281 TOP KNIFE



## HAMILTON LOWER COLLATOR TRIM KNIFE

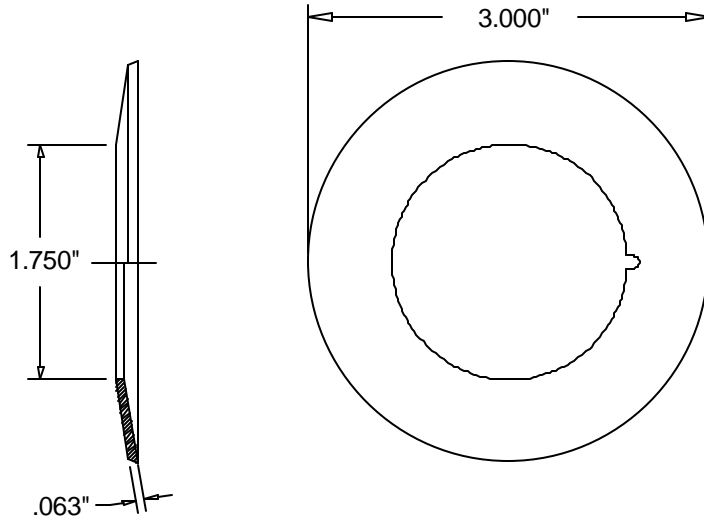
### PART #15282 BOTTOM KNIFE



## Product Information

## Dished Slitter Knives

Dished Slitter Knife  
**PART #15379**



Dished Slitter Knife  
**PART #15380**

